

PCB Piezotronics Inc. claims proprietary rights in the information disclosed hereon. Neither it nor any reproduction thereof will be disclosed to others without the written consent of PCB Piezotronics Inc.

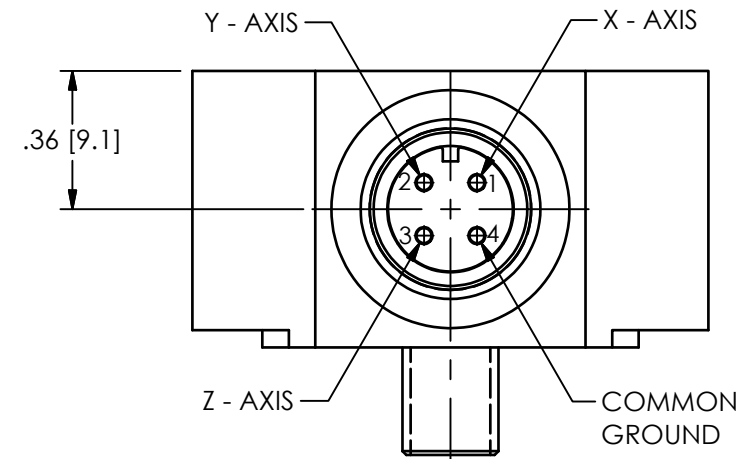
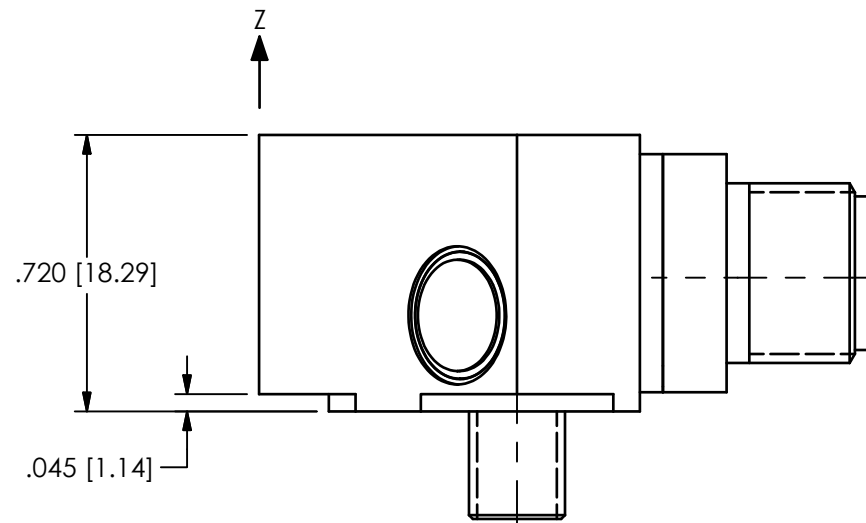
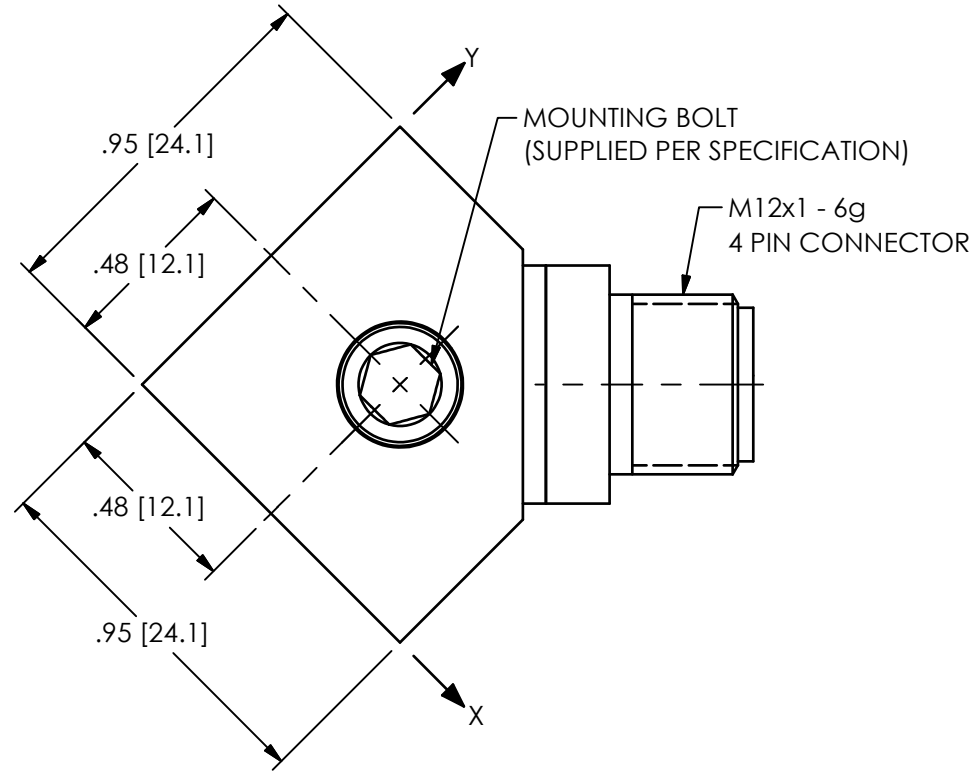
64204

**RELATED DRAWING**

NO MODIFICATIONS PERMITTED WITHOUT THE APPROVAL OF THE AUTHORIZED PERSON

**REVISIONS**

| REV | DESCRIPTION                 | DIN   |
|-----|-----------------------------|-------|
| B   | FIXED ORIENTATION OF KEYWAY | 47821 |



| UNLESS OTHERWISE SPECIFIED TOLERANCES ARE: |                                         | DRAWN                                                               |         | CHECKED           |         | ENGINEER                                                                 |         |
|--------------------------------------------|-----------------------------------------|---------------------------------------------------------------------|---------|-------------------|---------|--------------------------------------------------------------------------|---------|
| DIMENSIONS IN INCHES                       | DIMENSIONS IN MILLIMETERS [IN BRACKETS] | KRM                                                                 | 1/31/18 | KRM               | 1/31/18 | JJD                                                                      | 1/31/18 |
| DECIMALS XX ±.03<br>XXX ±.010              | DECIMALS X ±0.8<br>XX ±0.25             | TITLE<br>OUTLINE DRAWING<br>CASE ISOLATED<br>TRIAxIAL ACCELEROMETER |         |                   |         |                                                                          |         |
| ANGLES ± 2 DEGREES                         | ANGLES ± 2 DEGREES                      |                                                                     |         |                   |         |                                                                          |         |
| FILLETS AND RADII<br>.003 - .005           | FILLETS AND RADII<br>0.07 - 0.13        | CODE IDENT. NO.<br>52681                                            |         | DWG. NO.<br>64204 |         | 3425 WALDEN AVE. DEPEW, NY 14043<br>(716) 684-0001 E-MAIL: sales@pcb.com |         |
|                                            |                                         | SCALE: 2X                                                           |         | SHEET 1 OF 1      |         |                                                                          |         |



3425 WALDEN AVE. DEPEW, NY 14043  
(716) 684-0001 E-MAIL: sales@pcb.com

CODE IDENT. NO. 52681  
DWG. NO. 64204

SCALE: 2X SHEET 1 OF 1