

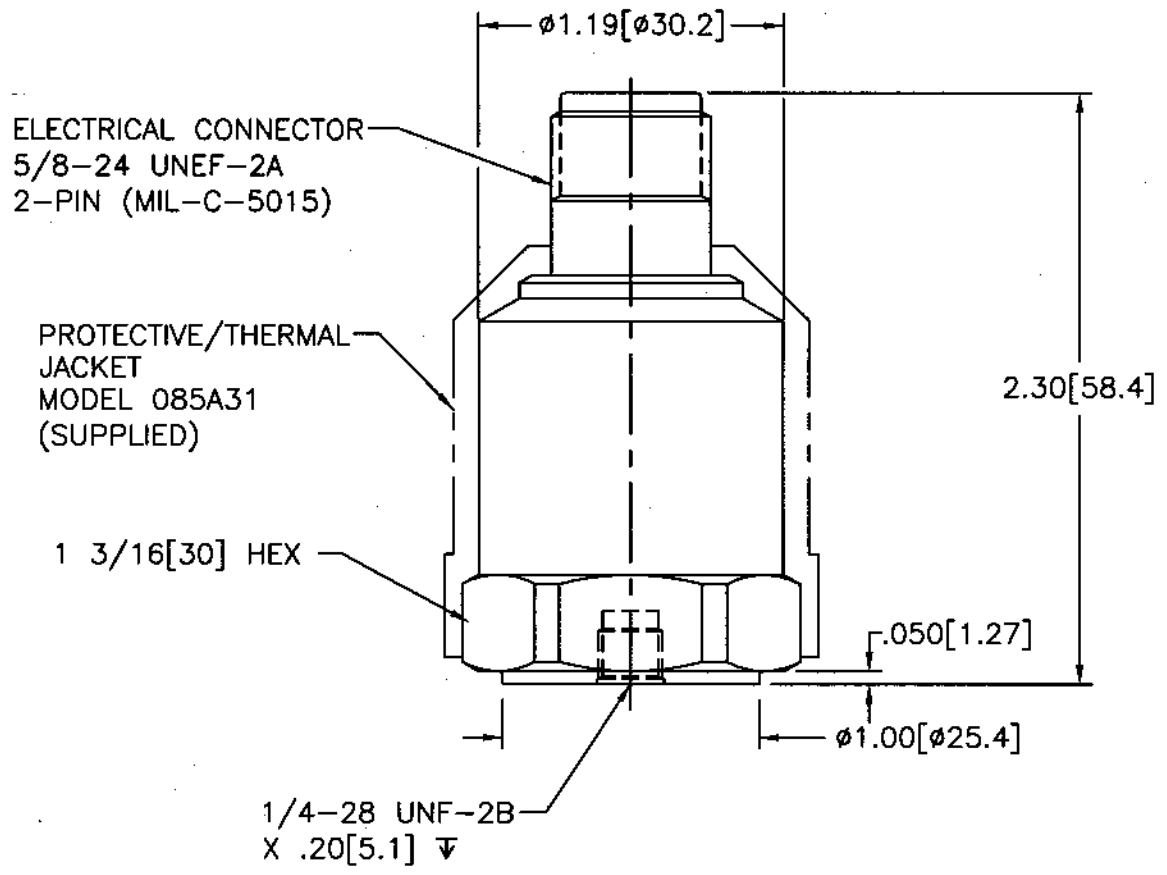
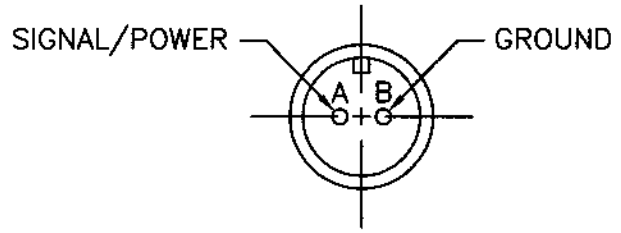
17090

PCB Piezotronics Inc. claims proprietary rights in the information disclosed hereon. Neither it nor any reproduction thereof will be disclosed to others without written consent of PCB Piezotronics Inc.

APPLICATION		
NEXT ASS'Y	USED ON	VAR

REVISIONS				
REV	DESCRIPTION	ECN	DATE	APP'D
A	ADDED MODELS	19821	5/10/04	<i>[Signature]</i>

TOP VIEW OF CONNECTOR



UNLESS SPECIFIED TOLERANCES		DRAWN					PCB PIEZOTRONICS™	
DIMENSIONS IN INCHES	DIMENSIONS IN MILLIMETERS [IN BRACKETS]	PCG	5/13/04	MFG	<i>[Signature]</i>	3425 WALDEN AVE. DEPEW, NY 14043		
DECIMALS XX ±.01	DECIMALS X ±0.3	CHK'D	<i>[Signature]</i>	ENGR	ANS	(716) 684-0001 EMAIL: SALES@PCB.COM		
XXX ±.005	XX ±0.13	APP'D	<i>[Signature]</i>	SALES	BLM	CODE IDENT. NO. 52681		
ANGLES ±2 DEGREES	ANGLES ±2 DEGREES	TITLE				DWG. NO. 17090		
FILLETS AND RADII .003 - .005	FILLETS AND RADII [0.07 - 0.13]	OUTLINE DRAWING				SCALE: 1.33 X SHEET 1 OF 1		
DD011 REV. C 01/21/03		MODELS 626B01, M, B02, M, B03, M				ACCELEROMETER		