

9588

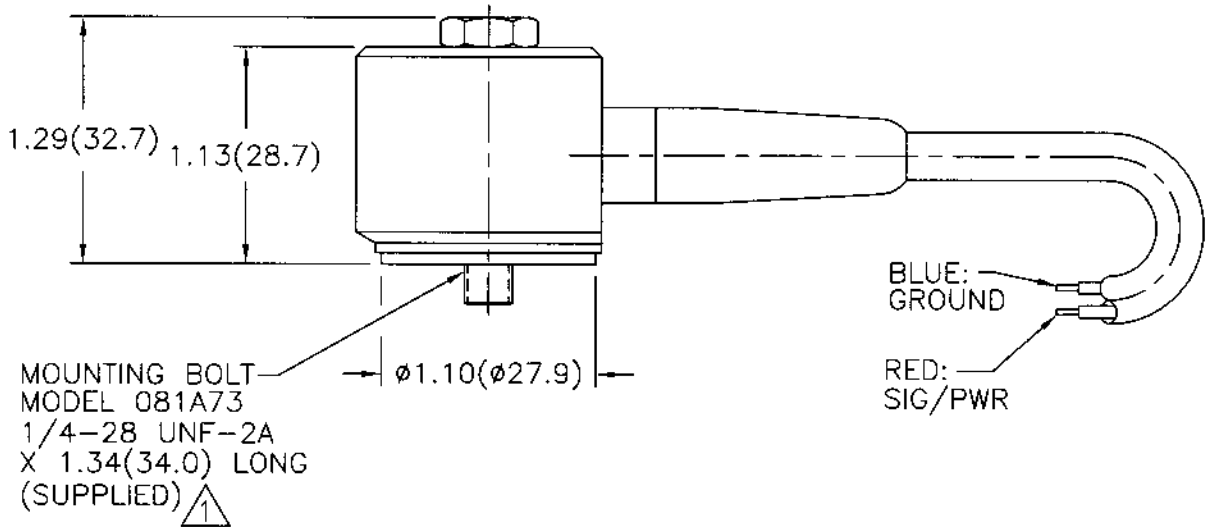
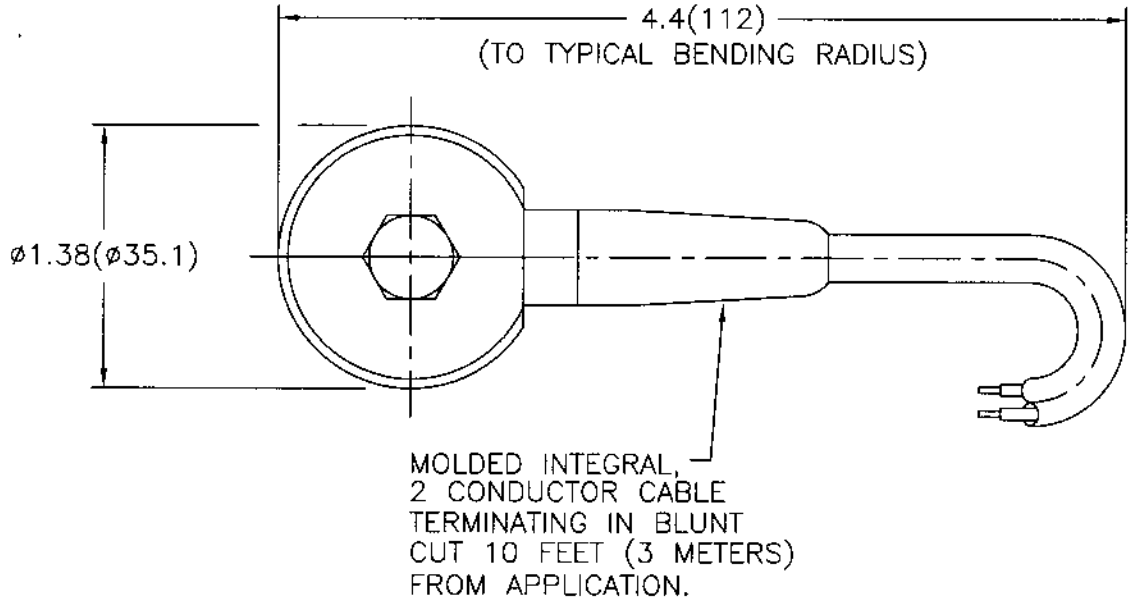
PCB Piezotronics Inc. claims proprietary rights in the information disclosed hereon. Neither it nor any reproduction thereof will be disclosed to others without written consent of PCB Piezotronics Inc.

APPLICATION

NEXT ASS'Y	USED ON	VAR
------------	---------	-----

REVISIONS

REV	DESCRIPTION	ECN	DATE	APP'D
A	REVISED PER ECN	9856	12/9/98	DM12/98
B	UPDATE FOR UNIFORMITY	13113	2/21/01	DM 3/01



▲ FOR METRIC RING ACCELEROMETER (M625B10, B11, B12)
USE MOUNTING BOLT MODEL M081A73, M6 X 1.00-6g X 1.34(34.0) LONG.

UNLESS SPECIFIED TOLERANCES		DRAWN	MFG	PCB PIEZOTRONICS™	
DIMENSIONS IN INCHES	DIMENSIONS IN MILLIMETERS (IN PARENTHESIS)	<i>MUS 3/20/01</i>	<i>L. J. 3/21/01</i>	3425 WALDEN AVE. DEPEW, NY 14043	
DECIMALS XX ±.01	DECIMALS XX ±0.3	CHK'D <i>DM 3/20/01</i>	ENGR <i>NF 3/21/01</i>	(716) 684-0001 EMAIL: SALES@PCB.COM	
XXX ±.005	XXX ±0.13	APP'D <i>MD 3/22/01</i>	SALES <i>EGY 3/23/01</i>	CODE IDENT. NO. 52681	DWG. NO. 9588
ANGLES ±2 DEGREES	ANGLES ±2 DEGREES	TITLE OUTLINE DRAWING MODEL 625B10, M, B11, M, B12, M RING ACCELEROMETER		SCALE: FULL SHEET 1 OF 1	
FILLET AND RADII .003 - .005	FILLET AND RADII (0.07 - 0.13)				
DD011 REV. B 03/13/98					