

10417

PCB Piezotronics Inc. claims proprietary rights in the information disclosed hereon. Neither it nor any reproduction thereof will be disclosed to others without written consent of PCB Piezotronics Inc.

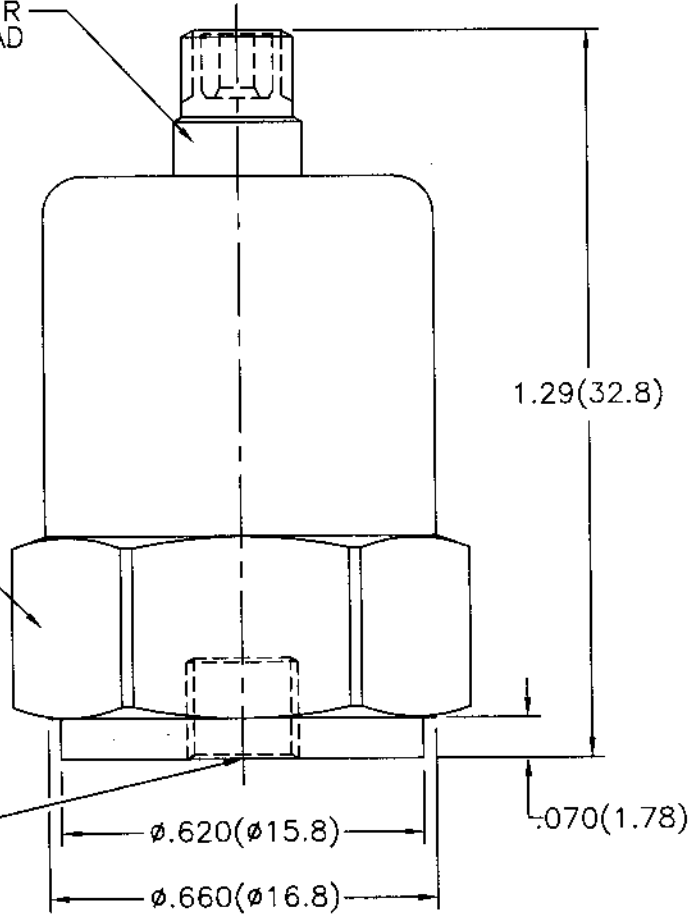
APPLICATION		
NEXT ASS'Y	USED ON	VAR

REVISIONS				
REV	DESCRIPTION	ECN	DATE	APP'D
A	UPDATE FOR UNIFORMITY	13113	2/21/01	Om 2/01

ELECTRICAL CONNECTOR
10-32 UNF-2A THREAD

11/16(18) HEX

10-32 UNF-2A
X .18(5) ▽



UNLESS SPECIFIED TOLERANCES	
DIMENSIONS IN INCHES	DIMENSIONS IN MILLIMETERS (IN PARENTHESIS)
DECIMALS XX ±.01 XXX ±.005	DECIMALS XX ±0.3 XXX ±0.13
ANGLES ±2 DEGREES	ANGLES ±2 DEGREES
FILLETS AND RADII .003 - .005	FILLETS AND RADII (0.07 - 0.13)

DRAWN	MNS 3/20/01	MFG	P.D 3/21/01
CHK'D	Om 3/20/01	ENGR	Nf 3/21/01
APP'D	Ma 3/21/01	SALES	EG 3/23/01
TITLE OUTLINE DRAWING MODEL 621B41, M ACCELEROMETER			

PCB PIEZOTRONICS
3425 WALDEN AVE. DEPEW, NY 14043
(716) 684-0001 EMAIL: SALES@PCB.COM

CODE IDENT. NO. 52681

DWG. NO. 10417

SCALE: 3X SHEET 1 OF 1